

ساخت قطعات و تجهیزات آریا ترانسفو
ARYA TRANSFO ACCESSORIES

Cooling radiator for transformers



Headquarter: Postal Code: 1468833846
P.O.Box: 15175-518, Tehran, Iran
Tel: +98(21)88374335-8
Fax: +98(21)88374339
Factory: Postal Code: 3573195986
P.O.Box: 35715-111, Shahmirzad, Semnan, Iran
Tel: +98(23)33279421-28, +98(23)3111
Sales Office Tel: +98(23)3111488
Fax: +98(23)33279429-30
www.arya-transfo.com
sales@arya-transfo.com



Cooling Radiator for Transformers

Radiators are the main component of transformers for heat dissipation. Reaching efficient cooling system depends on choosing proper topology and using the right material. Relying on its experience and know-how in production of transformer accessories, Arya Transfo Shargh Co. offers cooling radiators as a reliable supplier for International markets. To achieve highest level of quality as well as customer's satisfaction, the Arya Transfo Shargh Co. utilizes latest developed engineering softwares, advanced machinery as well as continues test.

Advantage of Radiators

- Expandable
- Painted or hot-dip galvanized
- Variable fin Number, fin distance and height
Acc. To design and customer request
- Fan installation capability
- Proper packaging
- Sealing equipment and Butterfly valves

Leak Test

All radiators produced by Arya Transfo Shargh Co. are tested under 2 BAR atmospheric pressure for 15 minutes. The quality control regulations would allow the shipment of radiators only after receiving all required quality and test certificates.

Internal Surface

Automatic internal surface cleaning is carried out

with chemical washing method. Then, the inner surface of radiators are completely cleaned, and covered with a coat resistant to transformer oil.

External Surface

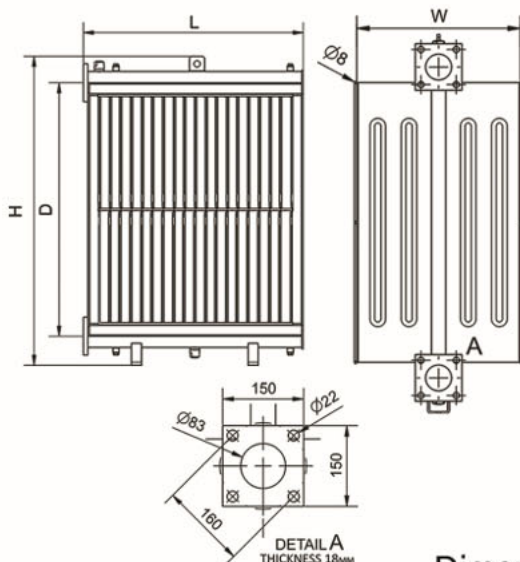
Automatic washing line will remove any rust and coating from external surface without human touching. Performing a shot blasting process with the machinery provided by the well-known German brand of Wheelabrator AG, guarantees a high quality in the final product. As our default, Minimum C4 two-layer electrostatic paint with the total thickness of 120 microns is used. Due to high attraction rate of paint to metal surface in electrostatic method, it tolerates 1200 hours of Salt spray test, which is beyond the hot-dip galvanized coatings withstand. Also, on customer request, it is possible to paint the radiators with three-layer liquid paint with the total thickness of 240 microns. All radiators are painted in our automatic modern facility in accordance with ISO 12944 standards. As our default, the final layer is painted in RAL 7032 however other paints are applicable upon customer request.

Packaging

Based on years of experience, Arya Transfo Shargh Co. can provide a safe and export suitable packing for radiators.

Range of Packaging

- Standard pallets based on Europa model
- Heavy pallets for a delivery in a container
- Open crate
- Closed crate
- Special packaging according to our customer specifications



Dimensional Specifications

Size	L(mm)	W(mm)	H(mm)	D(mm)	Oil volume(Lit)
600×16	740	520	820	600	36
800×20	910	520	1020	800	59
1000×19	865	520	1220	1000	70

